

Flame Arrester



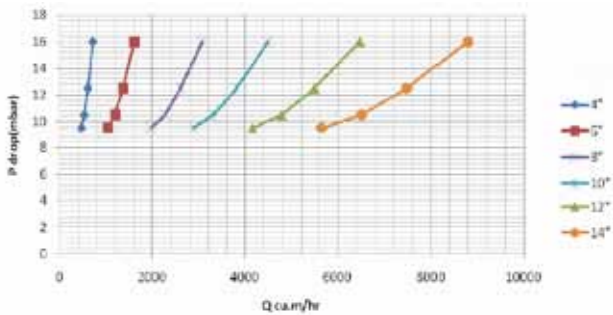
"Burning for a Better Environment..."

<http://www.bke.co.th>
contact@bke.co.th

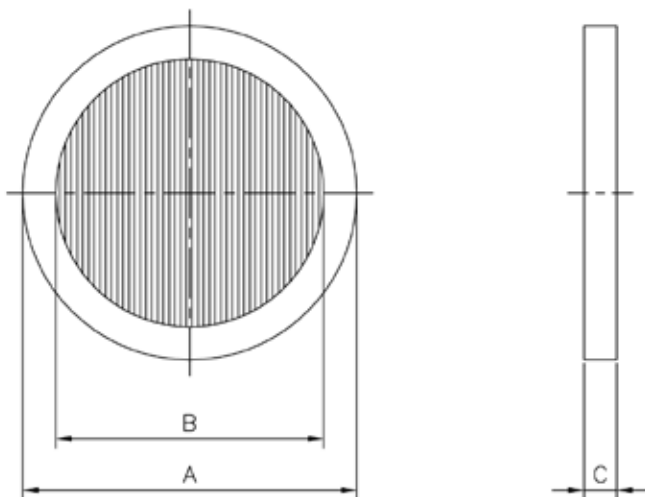
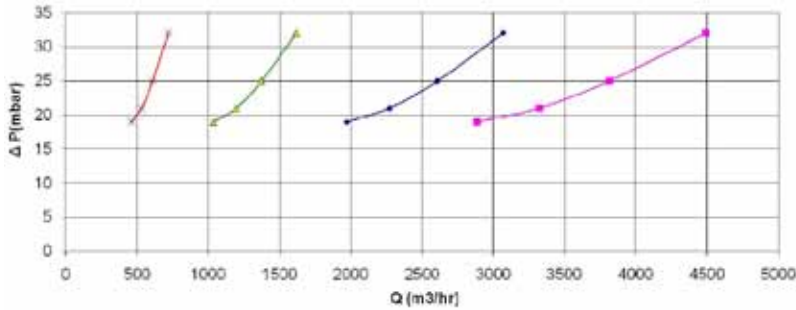
- Stainless Steel Body & Element
- Provides Proven Backfire Prevention
- For inline or end-of-line use
- Corrosion resistant

Pressure Drop Curves:

Single Element:



Double Element:

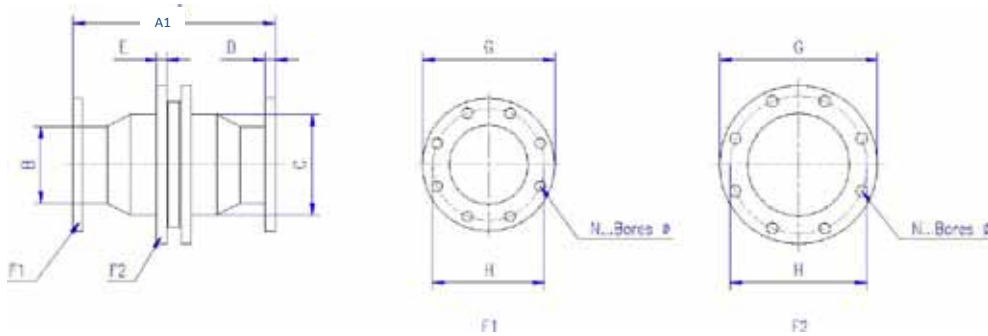


Pipe Size	mm		
	A	B	C
2"	102	62	20
2 1/2"	122	78	20
3"	138	92	20
4"	158	117	20
5"	188	142	20
6"	212	170	20
8"	268	220	20
10"	320	276	24
12"	370	327	24
14"	430	360	24
16"	482	410	24

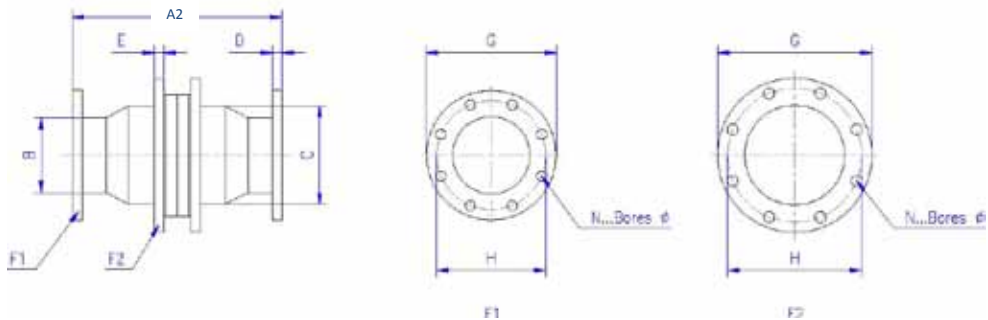
Standard Shaped Flame Arrester:

Ordinary biogas humidity with less than 85% humidity may use a standard shaped flame arrester in a horizontal or vertical installation

Single Element Type



Double Element Type



Pipe Size	mm													
	*A1	*A2	B	C	D	E	F1		F2					
							G	H	N	Ø	G	H	N	Ø
2"	295	316	61.5	117	18	20	165	125	4	18	220	180	8	18
2½"	295	316	77.5	117	18	22	185	145	4	18	220	180	8	18
3"	475	496	89	140	20	20	200	160	8	18	250	210	8	18
4"	475	496	114	165	20	22	220	180	8	18	285	240	8	22
5"	477	502	165	216	22	24	285	240	8	22	340	295	8	22
6"	485	510	216	267	24	26	340	295	8	22	395	350	12	22
8"	535	565	267	318	26	26	395	350	12	22	445	400	12	18
10"	535	565	318	355	26	26	445	400	12	22	505	460	16	22
12"	535	565	355	406	26	26	505	460	16	26	565	515	16	26
14"	535	565	360	410	26	26	505	460	16	22	565	515	16	26
16"	560	590	410	461	26	34	565	515	16	26	615	565	20	26
18"	585	615	461	512	34	34	615	565	20	26	670	620	20	26

Note: *A1 for Single Element Type, A2 for Double Element Type